

BLUE - VIOLET LASER DIODE

DL-7146-101S

Tentative

SANYO

Ver.2 May. 2008

Features

- Wavelength : 405nm(Typ.)
- Output power : 40mW
- Threshold current : I_{th}=35mA(Typ.)
- Package : ϕ 5.6mm with PD

Applications

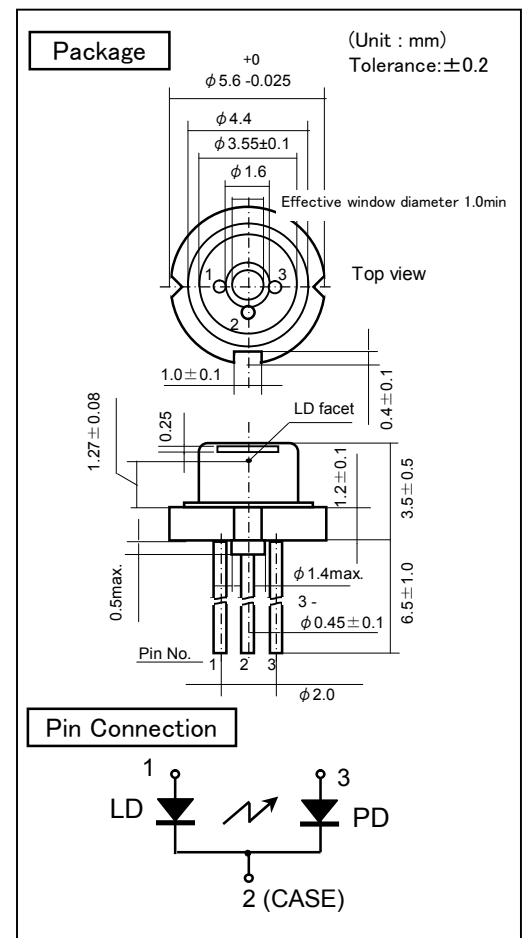
- Laser module
- Industrial Use

Absolute Maximum Ratings

(T_c=25°C)

Parameter	Symbol	Ratings	Unit
Light Output	Po(CW)	85	mW
Reverse Voltage (LD)	VR	2	V
Operating Temperature ¹⁾	T _{opr}	0 to +75	°C
Storage Temperature ¹⁾	T _{stg}	-40 to +85	°C

1) Case temperature.



Electrical and Optical Characteristics ^{2) 3) 4) 5)}

(T_c=25°C)

Parameter	Symbol	Condition	Min.	Typ.	Max.	Unit	
Threshold Current	I _{th}	CW	-	45	60	mA	
Operating Current	I _{op}	Po=80mW	-	110	140	mA	
Operating Voltage	V _{op}	Po=80mW	-	5.4	6.0	V	
Lasing Wavelength	L _p	Po=80mW	395	405	415	nm	
Beam ⁶⁾ Divergence	Perpendicular	Q _v	Po=80mW	16	19	23	°
	Parallel	Q _h	Po=80mW	6	8	12	°
Off Axis Angle	Perpendicular	dQ _v	Po=80mW	-3	-	3	°
	Parallel	dQ _h	Po=80mW	-3	-	3	°
Differential Efficiency	SE	Po=80mW	0.8	1.2	-	mW/mA	
Monitoring Output Current	I _m	Po=80mW	0.1	0.3	1.0	mA	

2) Initial Values. 3) All the above values are evaluated with Tottori sanyo's measuring apparatus.

4) It makes a typical value a Reference Value. 5) Measurement condition : CW. 6) Full angle at half maximum.

Note : The above product specification are subject to change without notice

SANYO Electric Co.,Ltd.

Electronic Device Company Photonics Division
URL <http://www.sanyo-photonics.com>

◆CONTACT

Electronic Device Company Sales & Marketing Division
1-1-10 Ueno, Taito-ku, Tokyo, 110-8534 JAPAN
Tel: +81-3-3837-6272 Fax: +81-3-3837-6390