

RED LASER DIODE

DL-LS1182

Tentative



Ver.2 Aug. 2006

Features

- Short wavelength : 640 nm (Typ.)
- Output power :60 mW (CW)
- Threshold current : I_{th} = 60 mA (Typ.)
- Operating voltage : V_{op} = 2.5V (Typ.)

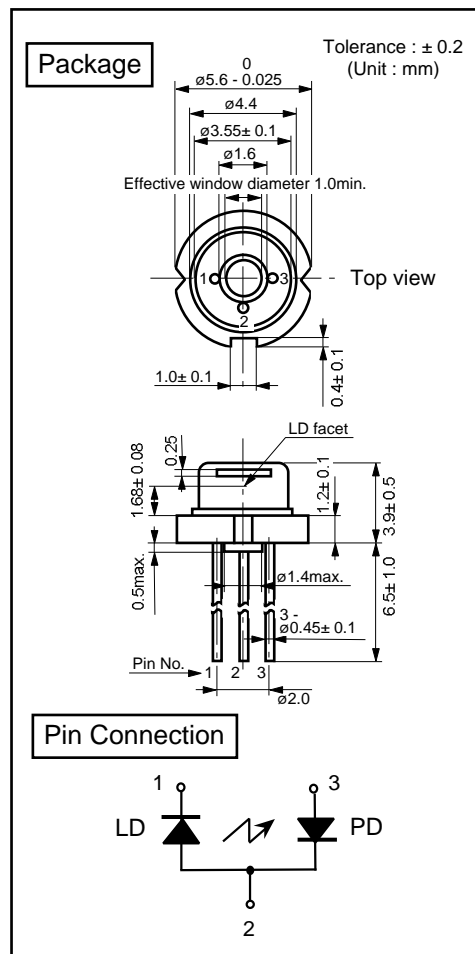
Applications

Laser display

Absolute Maximum Ratings

(T_c=25°C)

| Parameter | | Symbol | Ratings | Unit |
|-----------------------|-------|---------------------|------------|------|
| Light Output | CW | P _o (CW) | 60 | mW |
| Reverse Voltage | Laser | V _R | 2 | V |
| | PD | | 30 | |
| Operating Temperature | | T _{opr} | -10 to +50 | °C |
| Storage Temperature | | T _{stg} | -40 to +85 | °C |



Electrical and Optical Characteristics ^{1) 2)}

(T_c=25°C)

| Parameter | | Symbol | Condition | Min. | Typ. | Max. | Unit |
|-------------------------------|---------------|-----------------|----------------------|------|------|------|-------|
| Threshold Current | | I _{th} | CW | - | 60 | - | mA |
| Operating Current | | I _{op} | P _o =60mW | - | 120 | - | mA |
| Operating Voltage | | V _{op} | P _o =60mW | - | 2.5 | - | V |
| Lasing Wavelength | | L _p | P _o =60mW | - | 640 | 645 | nm |
| Beam ³⁾ Divergence | Perpendicular | Q _v | P _o =60mW | 12 | 16 | 24 | ° |
| | Parallel | Q _h | P _o =60mW | 6 | 8 | 13 | ° |
| Off Axis Angle | Perpendicular | dQ _v | - | -3 | - | 3 | ° |
| | Parallel | dQ _h | - | -3 | - | 3 | ° |
| Differential Efficiency | | SE | - | - | 1 | - | mW/mA |
| Monitoring Output Current | | I _m | P _o =60mW | - | 0.2 | - | mA |

1) Initial values 2) All the above values are evaluated with Tottori Sanyo's measuring apparatus
 3) Full angle at half maximum

Note : The above product specification are subject to change without notice.