

★635nm 15mW 50°C Reliable Operation

• Features

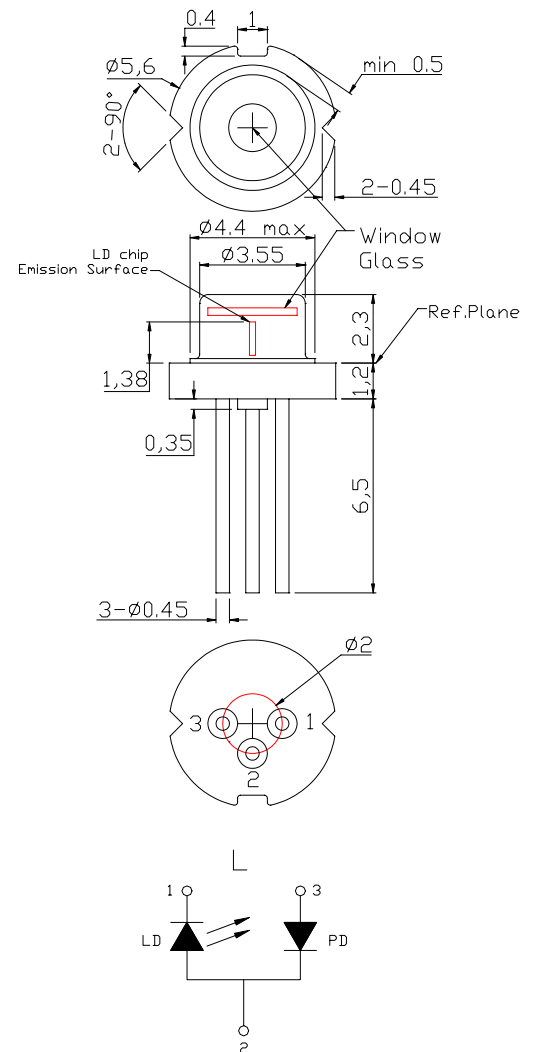
1. High visibility
2. Higher Power
3. Small perpendicular divergence angle

• Applications

1. Industrial laser markers
2. Survey and engineering instruments
3. High visibility LD display

• Absolute maximum ratings

Parameter	Symbol	Condition	Rating	Unit
Light output power	P_O	CW	17	mW
Reverse voltage (LD)	V_{RL}	-	2	V
Reverse voltage (PD)	V_{RD}	-	30	V
Forward current (PD)	I_{FD}	-	10	mA
Case temperature	T_C	-	-10~+50	°C
Storage temperature	T_S	-	-40~+85	°C



• Electrical and optical characteristics ($T_c=25^\circ\text{C}$)

Parameter	Symbol	Min.	Typ.	Max.	Unit	Conditions
Peak wavelength	λ	630	636	640	nm	$P_o=15\text{mW}$
Threshold current	I_{th}	-	33	40	mA	
Operating current	I_{op}	-	66	80	mA	$P_o=15\text{mW}$
Operating voltage	V_{op}	-	2.3	2.6	V	$P_o=15\text{mW}$
Differential efficiency	η	0.3	0.45	0.7	mW/mA	$P_o=10\text{-}15\text{mW}$
Monitor current	I_m	0.1	0.2	0.4	mA	$P_o=15\text{mW}$, $V_{RD}=5\text{V}$
Parallel divergence angle	$\theta_{ }$	6.0	7.5	10	deg	
Perpendicular divergence angle	θ_{\perp}	30	33	38	deg	
Parallel FFP deviation angle	$\Delta\theta_{ }$	-2	0	+2	deg	$P_o=15\text{mW}$
Perpendicular FFP deviation angle	$\Delta\theta_{\perp}$	-2	0	+2	deg	
Emission point accuracy	$\Delta x \Delta y \Delta z$	-80	0	+80	um	

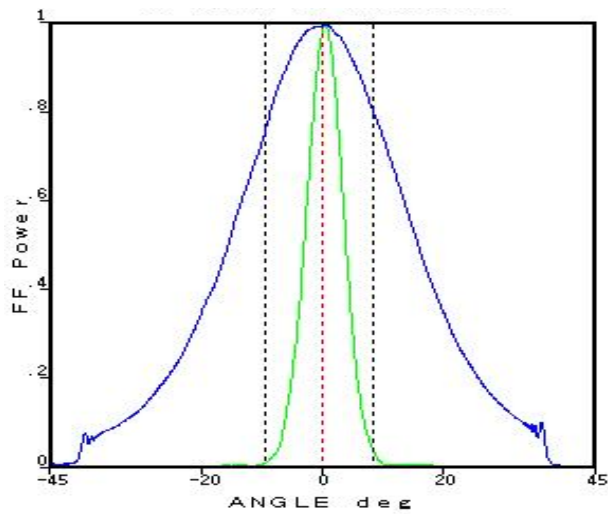
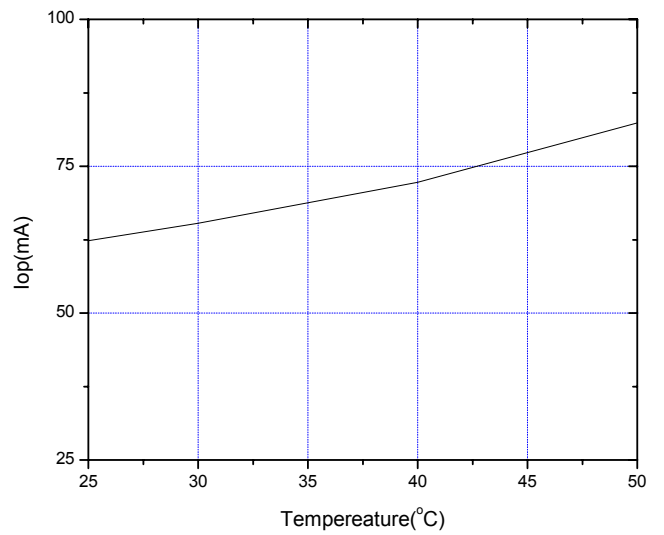
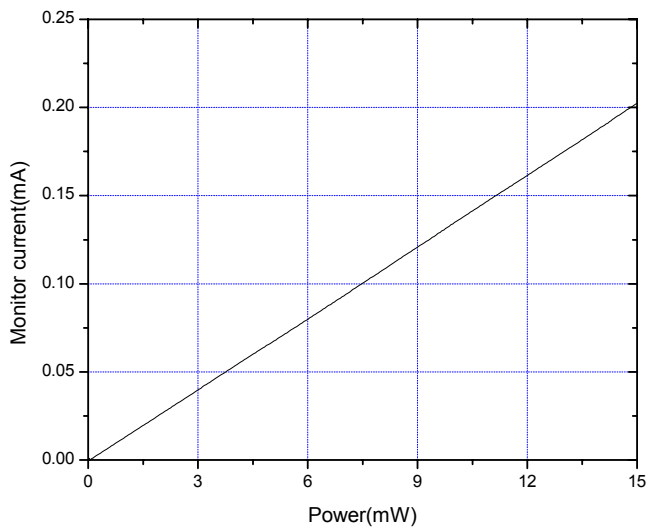
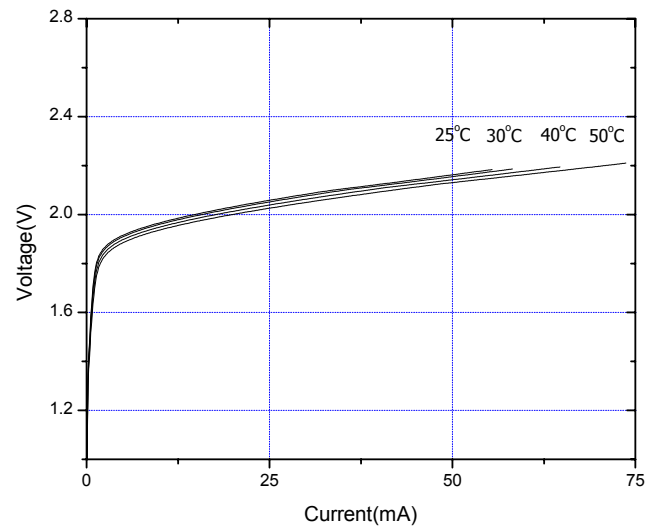
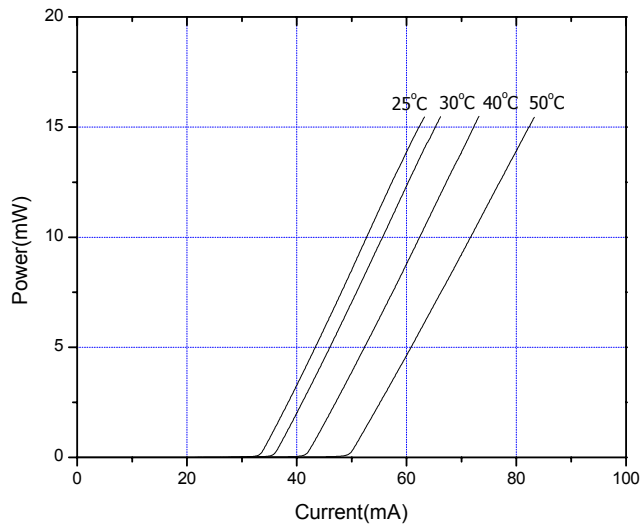
• Precautions

- * Do not operate the device above maximum ratings. Doing so may cause unexpected and permanent damage to the device.
- * Take precautions to avoid electrostatic discharge and/or momentary power spikes. A change in the characteristics of the laser or premature failure may result.
- * Proper heat sinking of the device assures stability and lifetime. Always ensure that maximum operating temperatures are not exceeded.
- * Observing visible or invisible laser beams with the human eye directly, or indirectly, can cause permanent damage. Use a camera to observe the laser.
- * No laser device should be used in any application or situation where life or property is at risk in event of device failure.
- * Specifications are subject to change without notice. Ensure that you have the latest specification by contacting us prior to purchase or use of the product.

AlGaInP Visible Laser Diode

ADL-63153TL

6-2D-LD63-016_Rev.00



* For reference only. Contents above are subject to change without notice.

Arima
LASERS